



PRICE LIST OF MAIN POSTAL PRODUCTS & SERVICES



TABLE OF CONTENTS

Welcome Message	3
Calculate Postage Sizes & Dimensions of Postal Items	4
Letter Mail	5 - 6
<div data-bbox="384 703 1596 952">Domestic Letter Mail Special Charges for Domestic Letter Mail Items International Letter Mail Special Charges for International Letter Mail Items</div>	
Parcels	7 - 9
<div data-bbox="384 1072 1596 1261">Domestic Parcels International Parcels Special Charges for Domestic & International Parcels</div>	
Business Solutions	10 - 11
<div data-bbox="384 1391 1596 1585">Direct Mail Publisher's Services Prepaid Products (Envelopes & Packages)</div>	
Additional Services	12
Commercial Policy and Discounts	13
Contact us	14

Welcome

Price List of Main
Postal Products & Services

Hellenic Post S.A.-ELTA aims to make your communication simple, convenient, reliable and above all cost-effective.

With our customized products & services we can serve any of your needs and requirements, postal or not, even at the most remote area of Greece, as well as at every corner of the world.

Furthermore, we provide you with a wide range of specialized solutions for your letter mail items & parcels, as well as plenty of promotional and communication services for your business.

The present brief price list handbook gives you the necessary information on the features and charges of our main products & services portfolio.

For any further information please visit our website

www.elta.gr

or

visit your nearest Post Office.

Calculate postage

Postal fees are always calculated on the basis of:

- **Posting product or service**
- **Destination**
- **Weight**
- **Size / Dimensions**

of each postal item (letter or parcel / packet)

Sizes & Dimensions of Postal Items

Letter Mail and Packets:

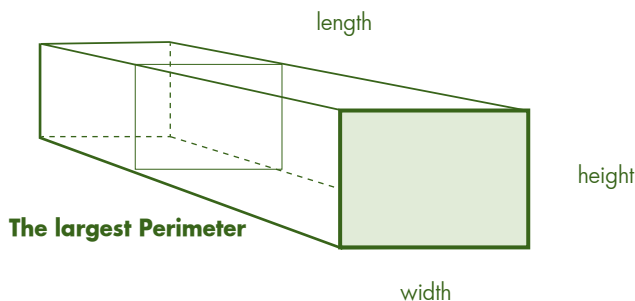
Dimensions			Dimensions		
Minimum	Maximum	Small	Minimum	Maximum	Large
Depth: 0,15mm Width: 90mm Length: 140mm	Depth: 5mm Width: 165mm Length: 245mm		Depth: 5mm Width: 90mm Length: 140mm	Depth: 20mm Width: 305mm Length: 381mm	
Maximum Weight: 50 gr			Maximum Weight: 250 gr		

Bulky	Bulky
Weighting no more than 2kg and within the dimensions shown. Heavier or larger items will be considered as a parcel. Maximum Dimensions: Length+Width+Depth no more than 900mm with the biggest dimension not exceeding 600mm	
Maximum Weight: 2000 gr	

Parcel Products and Services:

Minimum Dimensions: Length: 15 cm, Width: 11 cm, Height: 1 cm

Maximum Dimensions: Length: 150 cm and the sum of the length and the largest circumference, calculated in a direction other than that of the length: 300 cm.



Bulky Parcels : Dimensions of bulky items cannot exceed 1.5 meters for any dimension (Length or Width or Height) and may not exceed 4 meters for the entire length and the largest circumference perimeter, calculated in a direction other than that of its length.

Letter Mail

All postal items, with a maximum weight up to 2 kg, such as letters, postcards, newspapers and magazines (publishers and individuals), all forms of printed materials, books, samples of goods and storage media.

Domestic Letter Mail

SINGLE price throughout the Greek territory.

With a maximum delivery time of 3 working days, an ordinary letter mail item can be delivered at any place in Greece.

At the same time, information of an item's delivery can be provided through a dedicated tracking service.

Priority A' items are delivered within 1 working day (after the date of posting).

FEES FOR DOMESTIC MAIL (€)							
	Weight in gr	A' PRIORITY			B' PRIORITY		
		Ordinary	Registered	Tracked	Ordinary	Registered	Tracked
SMALL	20	1,90	4,40	2,00	0,90	3,40	1,00
	50	2,40	4,90	2,50	1,40	3,90	1,50
LARGE	100	2,90	5,40	3,00	1,90	4,40	2,00
	250	3,40	5,90	3,50	2,40	4,90	2,50
BULKY	500	3,90	6,40	4,00	2,90	5,40	3,00
	1000	4,40	6,90	4,50	3,40	5,90	3,50
	2000	4,90	7,40	5,00	3,90	6,40	4,00

Special Charges for Domestic Letter Mail Items

Domestic Letter Mail items of A' & B' Priority can be customized based on customer's special requirements, as they can be posted/delivered in conjunction with certain Services of Special Charges. Such Special Charges are only applied in conjunction with the basic fees (additionally to the basic fees) and per item.

SPECIAL CHARGES FOR DOMESTIC MAIL (surcharge on the basic fees per item)	
Registered	2,50€
Insured/Items with declared value	Fixed rate 2,50€
Minimum insurance amount 36€ maximum 30.000€	Proportionate 1,00%
Cash on Delivery - COD	3,00€
Delivery to another person living at the same address - apartment/house	1,90€
Advice/Proof of Delivery (printed form)	1,50€
Tracking	0,10€

International Letter Mail

SINGLE price all around the world!

Priority A' International Letter Mail: items are delivered within 3 working days after the day of posting in EU countries and within 3-5 working days rest of the world.

Priority B' International Letter Mail: the time of delivery depends on the country of destination.

FEES FOR INTERNATIONAL MAIL (€)				
	Weight in gr	A' PRIORITY		B' PRIORITY
		Ordinary	Registered	Ordinary
SMALL	20	2,00	4,50	1,00
	50	2,50	5,00	1,50
LARGE	100	3,50	6,00	2,50
	250	5,00	7,50	4,00
BULKY	500	8,50	11,00	7,50
	1000	13,00	15,50	12,00
	2000	23,50	26,00	22,50

Special Charges for International Letter Mail Items

International Letter Mail items of A' Priority can be customized based on customer's special requirements, as they can be posted in conjunction with certain Services of Special Charges. Such Special Charges are only applied in conjunction with the basic fees (additionally to the basic fees) and per item.

SPECIAL CHARGES FOR INTERNATIONAL MAIL (surcharge on the basic fees per item)	
Registered	2,50€
Insured/Items with declared value	Fixed rate 2,50€
	Proportionate 1,00%
Cash on Delivery - COD	3,00€
Tracking	2,50€
Advice/Proof of Delivery (printed form)	1,50€

SPECIAL SERVICES

Coupons Reponse

2,00€

Postcard Priority

1,00€

Parcels

Domestic Parcels

SINGLE price throughout the Greek territory!

Parcels weighing more than 2 kg are posted at ELTA's Post Offices or Postal Agencies and they are delivered in 3 working days from the day of posting.

It is one of the most reliable and affordable services for sending postal items!

There is track and trace information for the handling of the parcels and the recipient can be notified by SMS for the delivery of the parcel and of course it is possible to send and receive parcels from any place in the Greek territory.

BASIC FEES FOR PARCELS

Weight (Kg)	Fees (€)
1	3,00
2	3,50
3	4,50
4	5,50
5	6,50
6	7,50
7	8,50
8	9,50
9	10,50
10	11,50
11	12,50
12	13,50
13	14,50
14	15,50
15	16,50
16	17,50
17	18,50
18	19,50
19	20,50
20	21,50
>20 up to 25	1,00 / Kg

International Parcels

Weight in Kg	A' PRIORITY FEES (€)			B' PRIORITY FEES (€)		
	ZONE 1	ZONE 2 & EPG	ZONE 3	ZONE 1	ZONE 2	ZONE 3
1	17,50	23,50	28,50	16,50	22,50	27,50
2	17,50	28,50	36,00	16,50	27,50	35,00
3	22,00	34,00	44,00	20,50	32,50	42,50
4	26,50	39,50	52,00	24,50	37,50	50,00
5	31,00	45,00	60,00	28,50	42,50	57,50
6	35,50	50,50	68,00	32,50	47,50	65,00
7	40,00	56,00	76,00	36,50	52,50	72,50
8	44,50	61,50	84,00	40,50	57,50	80,00
9	49,00	67,00	92,00	44,50	62,50	87,50
10	53,50	72,50	100,00	48,50	67,50	95,00
11	58,00	78,00	108,00	52,50	72,50	102,50
12	62,50	83,50	116,00	56,50	77,50	110,00
13	67,00	89,00	124,00	60,50	82,50	117,50
14	71,50	94,50	132,00	64,50	87,50	125,00
15	76,00	100,00	140,00	68,50	92,50	132,50
16	80,50	105,50	148,00	72,50	97,50	140,00
17	85,00	111,00	156,00	76,50	102,50	147,50
18	89,50	116,50	164,00	80,50	107,50	155,00
19	94,00	122,00	172,00	84,50	112,50	162,50
20	98,50	127,50	180,00	88,50	117,50	170,00
20 up to 30	4,50 / kg	5,50 / kg	8,00 / kg	4,00 / kg	5,00 / kg	7,50 / kg

ZONE 1 Cyprus - Balkan Countries:

Albania, Bulgaria, North Macedonia, Romania, Turkey.

ZONE 2 EPG Countries/Interconnect:

Austria, Belgium, Czech Republic, Croatia, Denmark, Estonia, France (including Corsica & Monaco), Finland, Germany, Hungary, Iceland, Ireland, Italy, Latvia, Lithuania, Luxembourg, Malta, Norway, Netherlands, Poland, Portugal (including Azores Islands), Slovakia, Slovenia, Spain (including Balearic Islands & Canary Islands), Sweden, Switzerland, United Kingdom.

ZONE 3 Other Countries

Special Charges for Domestic & International Parcels

Both Domestic and International Parcels can be posted in conjunction with certain Services of Special Charges. Such Special Charges are only applied in conjunction with the basic fees (additionally to the basic fees) and per packaging / parcel.

Domestic

Special Charges (per item)	Fees
Cash on Delivery	3,00 €
Cash on Delivery Without printed form	1,00 €
Declared Value - Insured Parcel:	
Minimum declared value 36€ - maximum declared value 30.000€.	
	Fixed rate per parcel 2,50 €
	Proportionate rate on the declared value 1%
Home Delivery	
	Fixed rate per item 1,50 €
	Proportionate per kilo for >2 kg 0,50 €
Pick up Service	
Express Delivery	Fixed rate per item 1,00 €
	Proportionate per kilo for >2 kg 0,50 €
Fragile Content or Bulky Size:	
It is calculated proportionately on the basic fees and added to them.	25%
Advice (Proof) of Delivery (printed form)	1,50 €

International

Special Charges (per item)	FEES
Cash on delivery (COD) (Except EPG)	
<ul style="list-style-type: none"> For Cyprus and Moldova this service is conducted by money orders. For Spain, Italy, Hungary, Portugal and Turkey this service is conducted through EUROGIRO system 	3,00 €
Insured (Except EPG)	
<ul style="list-style-type: none"> Fixed per parcel Proportionate rate on the declared value 	2,50 € 1%
Bulky or fragile parcels	
<ul style="list-style-type: none"> The international parcel fee is collected according to the transmission option and the corresponding weight, increased by: An international parcel is priced as oversize/bulky when its dimensions do not exceed 1.5 meters for any dimension and cannot exceed 4 meters for the sum of the length and the biggest perimeter. 	25%
Advice (Proof) of Delivery (printed form)	
It is accepted for all countries except Canada.	1,50 €
Pick up Service: (Fixed rate per item)	
It concerns Home Collection Service of Parcels.	1,00 €

Business Solutions

Mail Marketing & Publisher's Services

Mail Marketing services enable professionals to build distance sales, to sell products and services through catalogues, enhancing their customer base.

In other words, it is possible to send advertising - informative - promotional material on a targeted basis, ensuring measurable results, as well as consistent and effective communication with customers.

Specifically, by the **Ad Post** service addressed items (bulk mail using Recipients' Addresses) are posted, while by the **Unaddressed Mail** service unaddressed items (without Recipient Address) are posted.

The items are delivered within 5 working days and the minimum quantity per posting/dispatch is 500 items.

AD POST			UNADDRESSED MAIL		
	Weight in gr	FEES (€)		Weight in gr	FEES (€)
SMALL	20	0,27	SMALL	20	0,09
	50	0,42		50	0,14
LARGE	100	0,57	LARGE	100	0,19
	250	0,72		250	0,24
	500	0,87	BULKY	500	0,29
	1000	1,02		1000	0,34
	2000	1,17		2000	0,39

Press Post service includes exclusively printed forms, such as newspapers and magazines.

Weight in gr	PRESS POST FEES (€)		
	X+1	X+3	X+5
20	1,90	0,90	0,27
50	2,40	1,40	0,42
100	2,90	1,90	0,57
250	3,40	2,40	0,72
500	3,90	2,90	0,87
1000	4,40	3,40	1,02
2000	4,90	3,90	1,17

Insets/Supplements - own or third party- are not invoiced separately but their weight is taken into account at the item's weight.

Prepaid Products (Envelopes & Packages)

Save time and simplify shipping by buying one of ELTA's prepaid products. This product portfolio is provided either in the form of envelopes or packages.

In particular, the basic features and charges of these products/packages are as follows:

Prepaid Folders - Envelopes

The new Prepaid Folders – Envelopes have a maximum delivery time of 3 working days, throughout the Greek territory.

PREPAID ENVELOPES (Envelopes with prepaid fees)			FEES
Dimensions and Types			
11,4 X 22,9 cm Domestic without a window	50gr		1,00 €
11,4 X 22,9 cm Domestic with a window	50gr		1,02 €
11,4 X 22,9 cm Register Domestic without a window	50gr		3,50 €
16,2 X 22,9 cm Domestic without a window	100gr		1,90 €
16,2 X 22,9 cm Domestic with a window*	100gr		1,92 €
23 X 32 cm Domestic without a window	250gr		2,40 €
23 X 32 cm Domestic with a window*	250gr		2,42 €

*Maximum required order 30.000 items

For envelopes of sachet machines the minimum required order is 30.000 items

Prepaid Packages and Parcels

Prepaid packaging has a maximum delivery time of 3 working days, they are tracked at all operational stages, they are delivered to the recipient's address or a legally authorized person, and have a single price for the whole Greek territory.

Types of Packaging	Dimensions	Maximum weight	Fees (€)
Cardboard A' Size	193 x 106 x 64mm	2 kg	5,50
Cardboard B' Size	243 x 146 x 89mm	4 kg	9,00
Cardboard C' Size	300 x 210 x 110mm	6 kg	12,00
Cardboard D' Size	375 x 250 x 155mm	8 kg	16,00

Additional Services

In addition to ELTA's main Domestic and International Letter Mail & Parcel Services, as listed above, and in order to fulfill customers' special needs, and requirements Hellenic Post S.A. provides a full range of added value services.

Additional Services for Letter Mail Items

ADDITIONAL SERVICES OF LETTER MAIL ITEMS (Domestic & International)	
Request for alteration (per item)	2,00€
Inquiry (per item)	5,00€
Compensation Request	Free of charge
Unpaid or Underpaid (surcharge on the incomplete fees missing)	0,50€
Change of address only for domestic items (3 months duration)	10,00€
only for domestic items (6 months duration)	15,00€

Additional Services for parcels

Additional Services (per item)	Fees
Request for alteration	2,00€
Storage fees (per parcel & per day)	0,20€
Inquiry	5,00€
Compensation request	Free of charge

International

Compensation Request (per item)	Free of charge
Storage fee (per item, per day) It is calculated after the 4th day from the day of issuance of the notification.	0,20 € /day
Request for Redirection of an Inbound Parcel to another address (Within Greece, at an address different than the recipient's address)	2,00 €
	+
Further transmission of an International Parcel (Within Greece, at an address different than the recipient's initial address) The fee of a Domestic parcel, which concerns the corresponding weight of the Domestic Parcels Price List, is additionally collected.	Fee of domestic Parcel
For the Special Customs Clearance Fees please refer to the Special Customs Clearance Fees Price List	

Commercial Policy and Discounts

The new commercial policy is based on rewarding customers based on their twelve month turnover.

More specifically:

- ✓ All registered customers – i.e. customers whose Tax Identification Number is registered and used at any of their transactions - receive a loyalty discount when their total annual postings are greater than € 600,00. The annual turnover on which the rate will be calculated will relate to the twelve month turnover (with the last calculation month 2 months before the posting month).
- ✓ Loyalty discounts are calculated per Tax Identification Number, updated monthly and the discount is credited upon posting.

Loyalty Discounts are given for

- ✓ **Domestic Letter Mail:** The minimum discount rate that can be granted is 25% and the maximum is 40%.
- ✓ **Domestic Parcels:** The discount for domestic parcels applies to all domestic parcel charges. The minimum discount rate that can be granted is 40% and the maximum is 55%
- ✓ **International Letter Mail and Parcels:** This discount applies to outbound items. The minimum discount rate that can be granted is 5% and the maximum is 20%.
- ✓ **Special Services:** The Special Services discount is 25% and applies to all special charges for letter mail items and domestic and international parcels.

The variable rate for the above mentioned discounts is calculated on the total customer's revenues from letter mail and parcel services.

On Site Post and Local Traffic Discount: On site posting discount is granted to: A' & B' Priority, Ad Post and Unaddressed Mail (for 500 items or more) for items addressed to the Delivery Unit located in the same area as the Post Office of posting, in the case of letter mail items, and in the same prefecture, in the case of parcels, and amounts to 25% of all basic fees.

Special Services items are not eligible for on site posting discounts.

In Hellenic Post S.A.- ELTA, with two centuries of postal expertise, we place our Customers at the center of our attention. In order to respond successfully to your ever changing needs, we promote innovation, developing and providing you with a range of modern, integrated and reliable services and products in every part of Greece and the world.

In particular, in addition to the main and basic letter mail and parcel services, you can also find a wide range of added value products and services designed to meet your most specialized needs and requirements, including:

- ✓ Financial Products (Banking Products, Pension & Benefit Payments, Bills Payments, Money Transfer)
- ✓ Retail Products (Mobile Telephony, Packaging, Mailboxes, P.O. boxes, Gifts and Art, Scratch Lottery, Home Delivery of Medicine, Piggy-Banks)
- ✓ Philatelic Products

This is an extract from Hellenic Post SA - ELTA's official price list. ELTA reserves the right to adjust the fees and the terms of provided services in accordance with the applicable provisions. In case of any dispute, ELTA's official price list prevails. For more information on the Pricing and Commercial policy, please contact ELTA's nearest post office.

Visit our corporate website at:

www.elta.gr

or

Visit your nearest Post Office,

or

Contact us by phone

 **(+30)800 11 82 000**  **(+30)212 0000 800**